

AVA

# BULLET

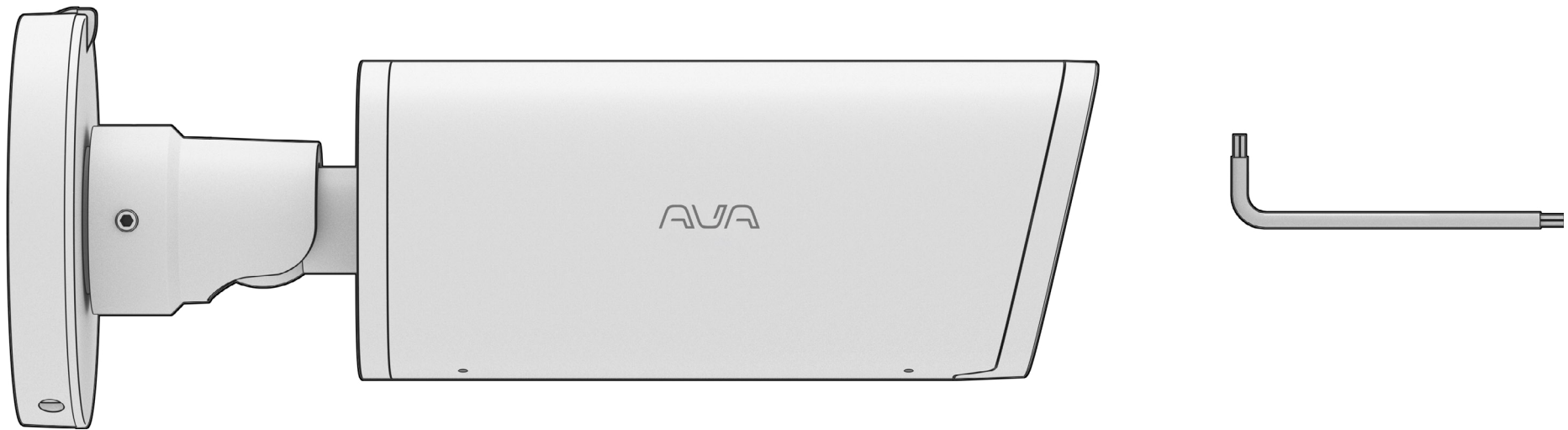
Mounting guide



## Important warnings and safety instructions

- ✗ **Avoid** exposing the camera to shocks, high pressure or temperatures above 50°C.
- ✗ **Avoid** placing the camera near fans, ventilation or other noise sources. This will degrade audio performance.
- ✗ **Avoid** scratching or leaving fingerprints on the lens cover, this degrades image quality. If possible, keep the protective plastic on the lens cover during installation.
- ✗ **Do not** clean the camera with harsh detergents, gasoline or chemicals such as acetone.
- ✗ **Do not** try to repair the unit yourself. Refer all servicing of the camera to Ava or contact a reseller.
- ✗ **Do not** install the camera during rain, mist or other conditions of high humidity. Water may be trapped inside, causing damage or condensation issues.
- ! This product should be supplied by a Power over Ethernet Power Sourcing Equipment (PSE) compliant to IEEE 802.3at Type 2 (PoE+).
- ! The camera should be connected only to PoE networks without routing to the outside plant. The PoE PSE must be properly grounded.

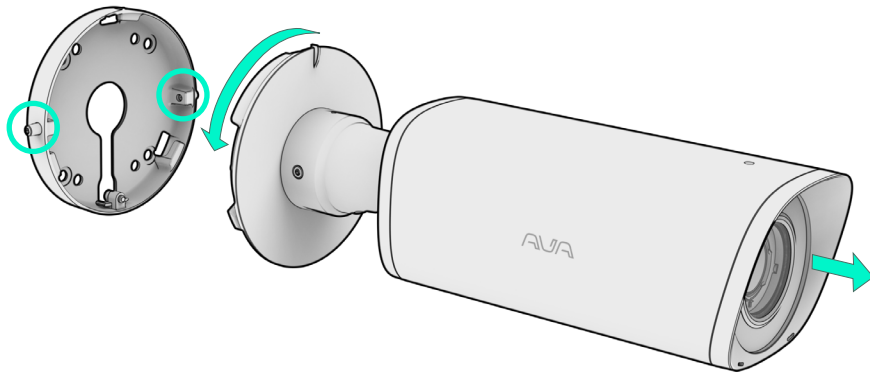
## Box contents



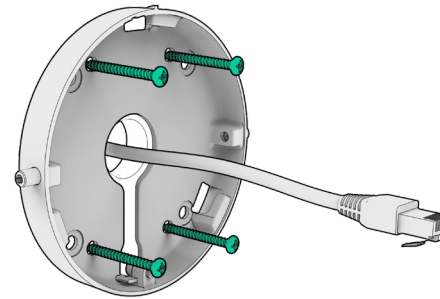
# Using the wall bracket



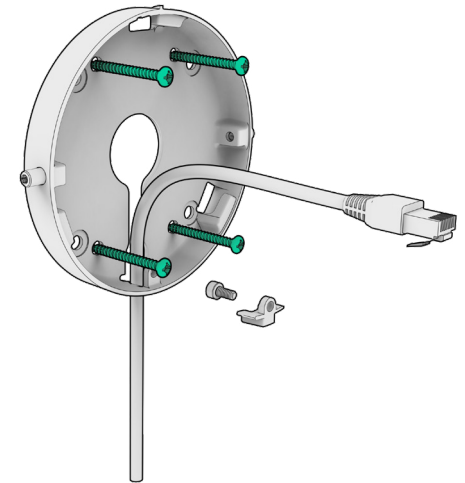
1



2A



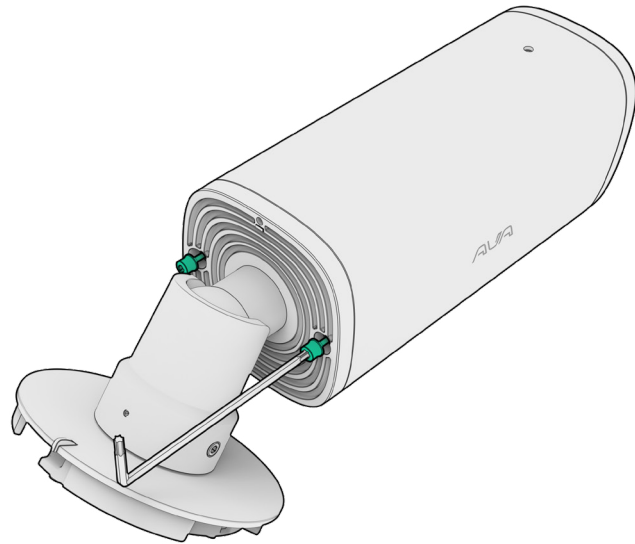
2B



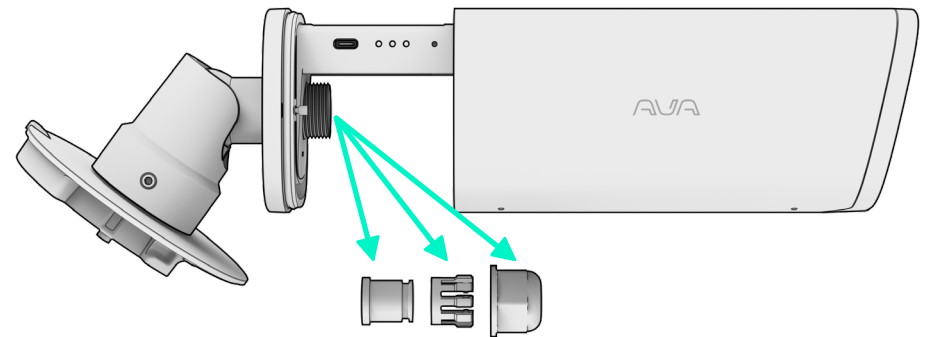
Screws are not included. The installer must use suitable fasteners.

## Opening the housing and removing cable gland

3



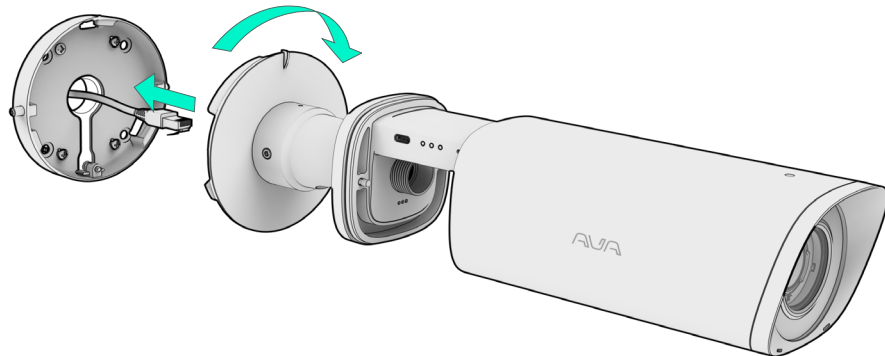
4



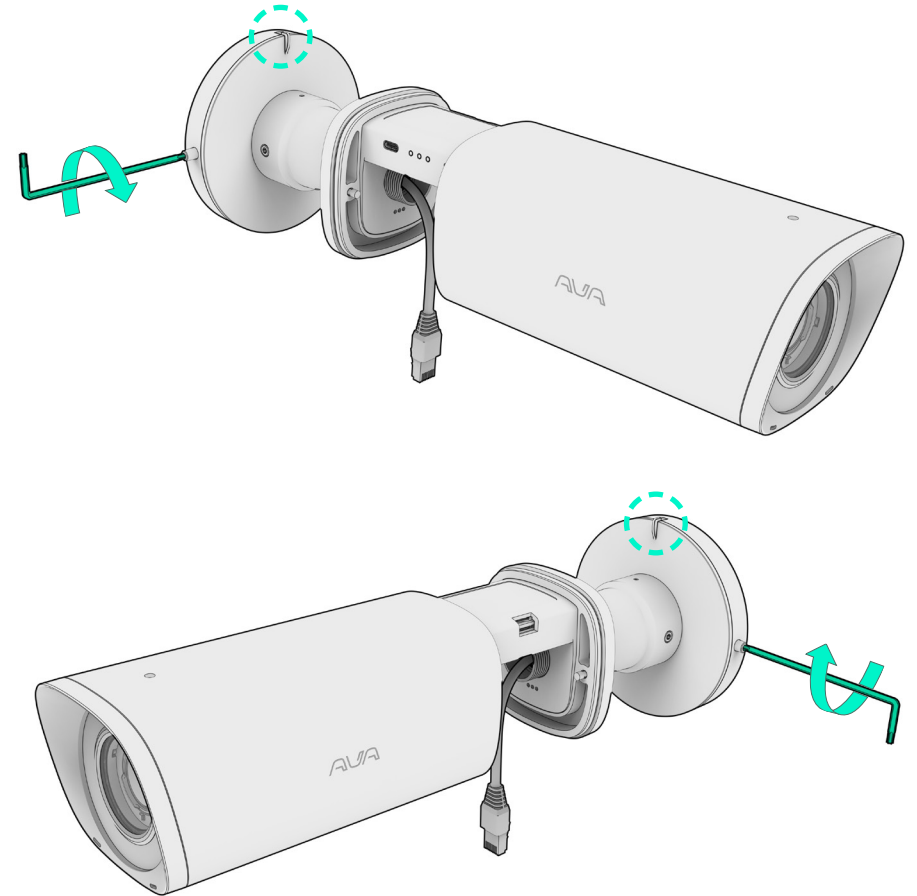
It's easier to access the screws when the ball joint is moved to an angle.

# Installing the camera on to the wall bracket

5

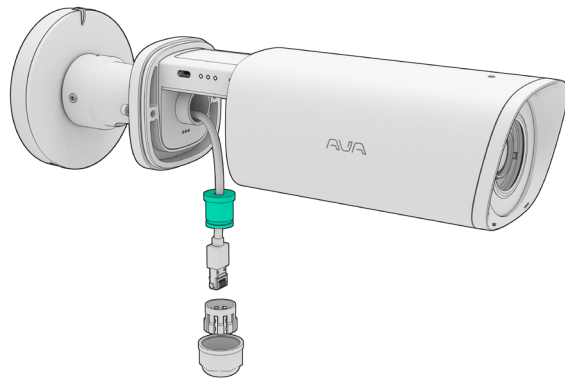


6



# Installing cable gland and connecting ethernet cable

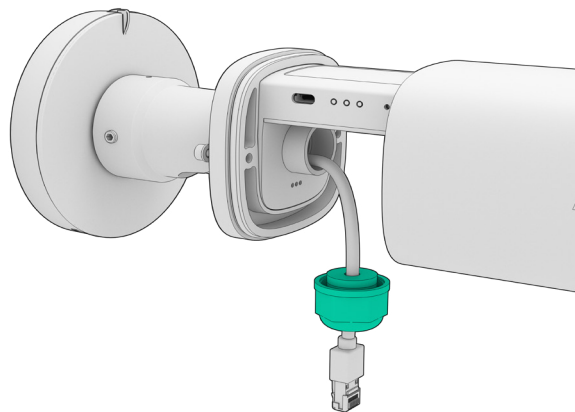
7



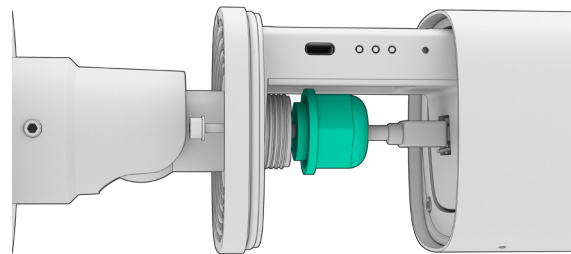
8



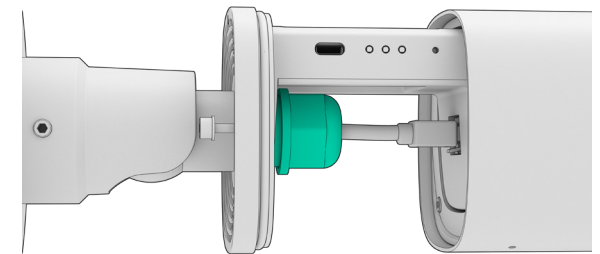
9



10



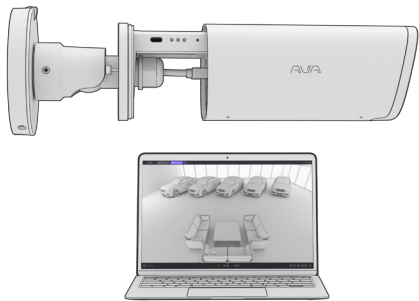
11



## Connect the camera and adjust the picture

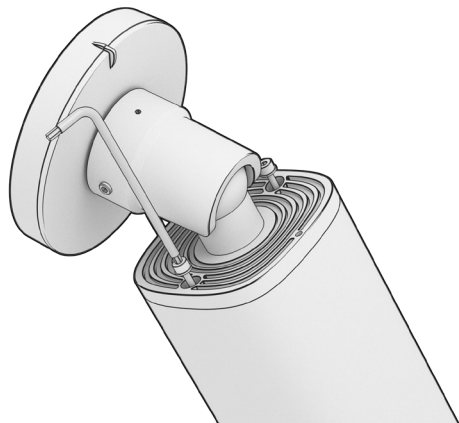
**12**

Add the Camera to Ava Aware and ensure that the video stream is working.



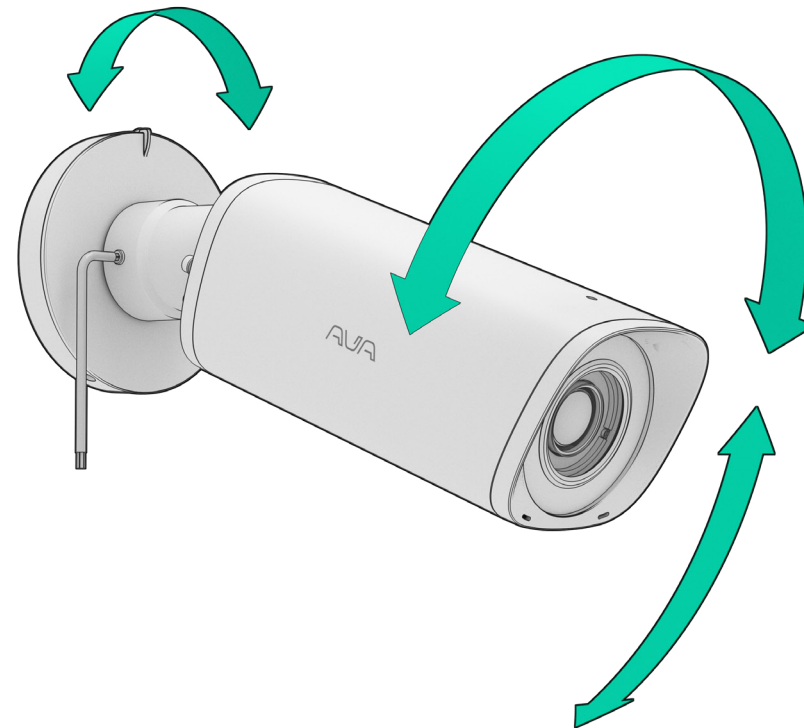
**13**

Close the camera and tighten the two screws on the rear cover.



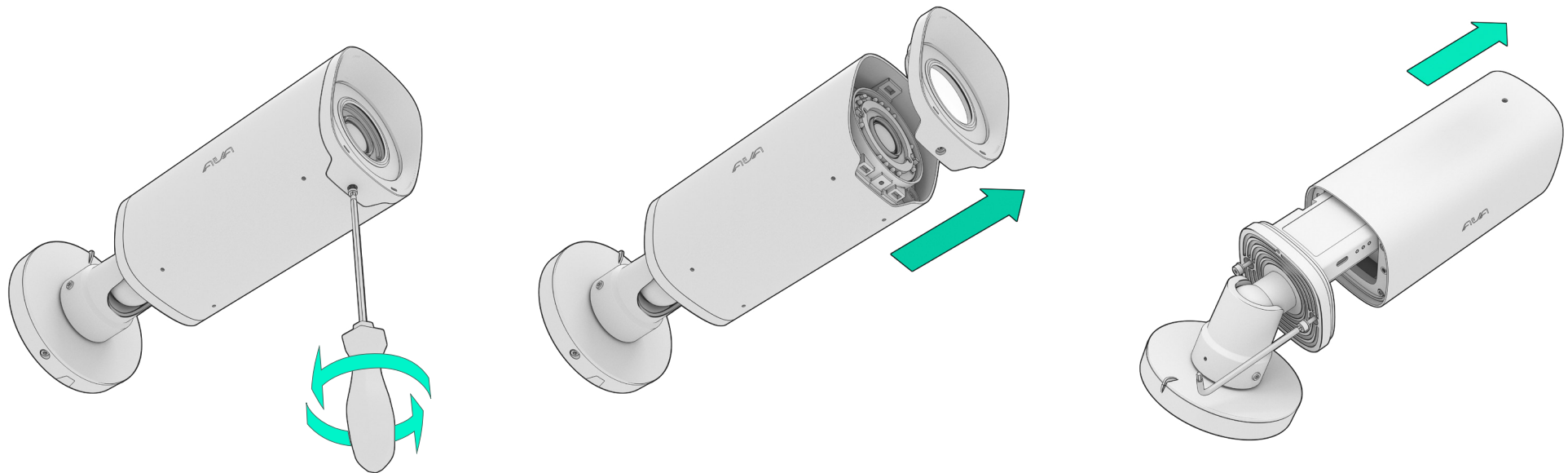
**14**

When the correct position is obtained, firmly tighten the screws (3Nm) to lock the position.





## Change lens orientation, horizontal (16:9) - vertical (9:16)



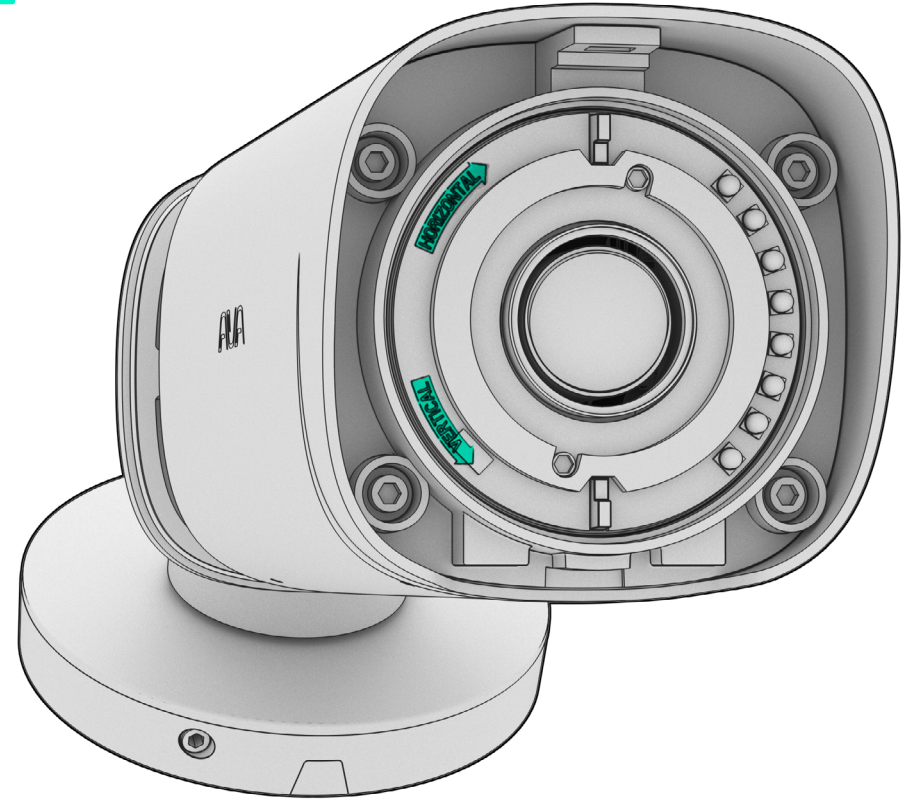
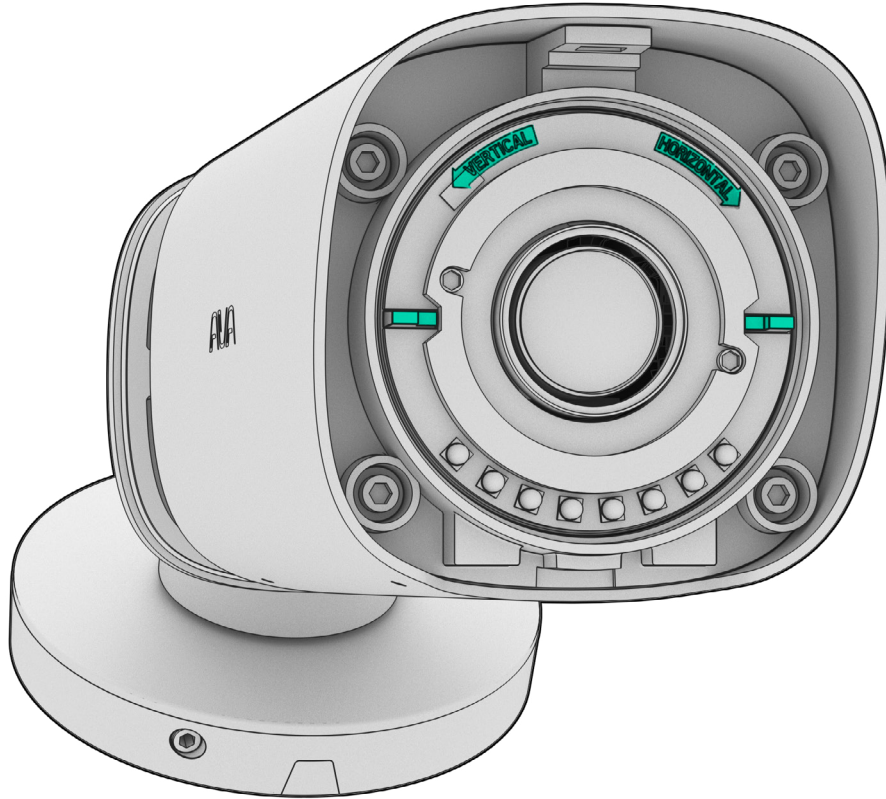
Please be aware of the screw, it can easily be lost during disassembly

# Change lens orientation, horizontal (16:9) - vertical (9:16)



 HORIZONTAL

 VERTICAL



Ensure the camera body has been opened before attempting to rotate the lens