

AVA

DOME

Mounting guide

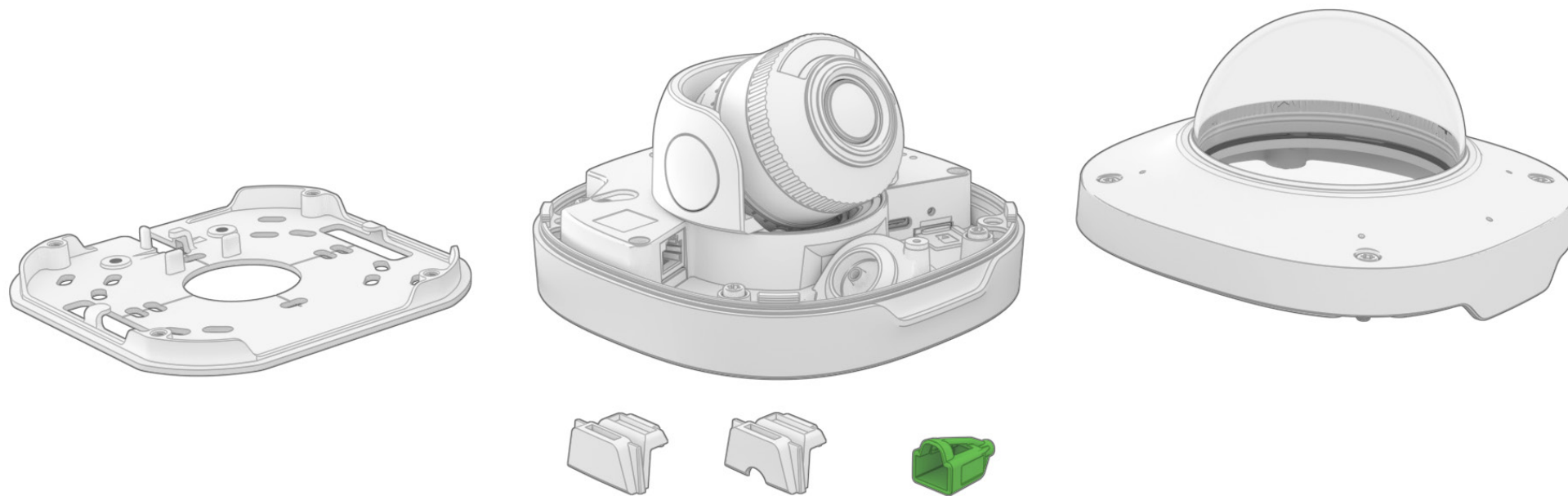




Important warnings and safety instructions

- ✗ **Avoid** exposing the camera to shocks, high pressure or temperatures above 50°C.
- ✗ **Avoid** placing the camera near fans, ventilation or other noise sources. This will degrade audio performance.
- ✗ **Avoid** scratching or leaving fingerprints on the lens cover, this degrades image quality. If possible, keep the protective plastic on the lens cover during installation.
- ✗ **Do not** clean the camera with harsh detergents, gasoline or chemicals such as acetone.
- ✗ **Do not** try to repair the unit yourself. Refer all servicing of the camera to Ava or contact a reseller.
- ✗ **Do not** install the camera during rain, mist or other conditions of high humidity. Water may be trapped inside, causing damage or condensation issues.
- ! This product should be supplied by a Power over Ethernet Power Sourcing Equipment (PSE) compliant to IEEE 802.3at Type 2 (PoE+).
- ! The camera should be connected only to PoE networks without routing to the outside plant. The PoE PSE must be properly grounded.

Box contents



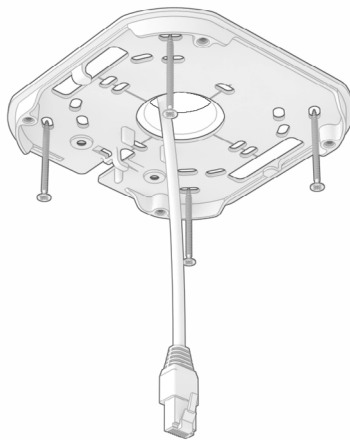


Choose the appropriate screw and anchor for your ceiling or wall. The proposed screw and anchor are a good choice for mounting to concrete or brick.
/ Elija el tornillo y el anclaje adecuados para su techo o muro. El tornillo y el anclaje recomendados son buenas opciones para el montaje en hormigón o ladrillo.

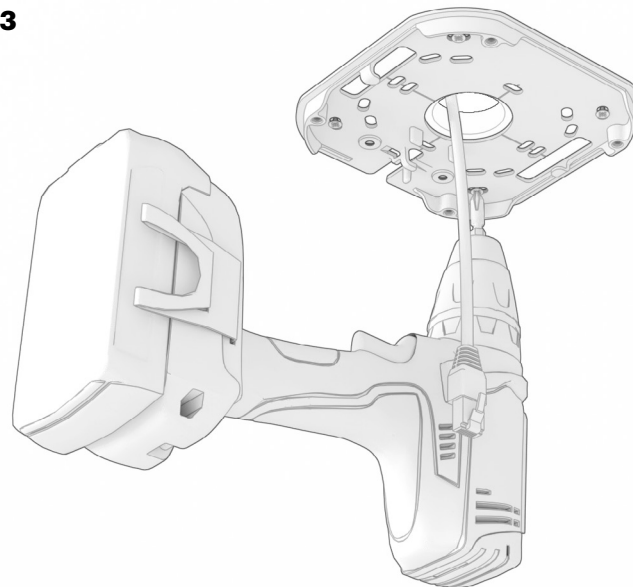
1



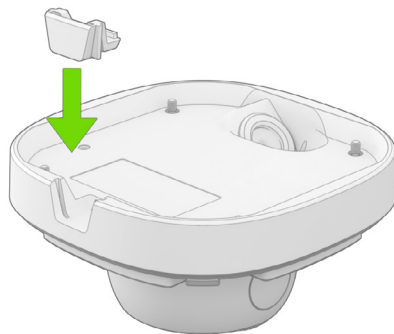
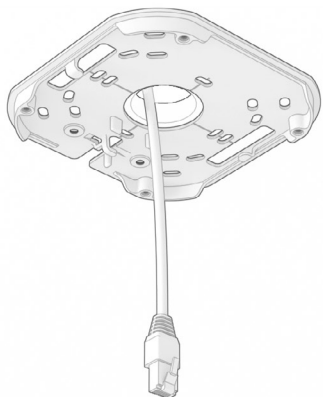
2



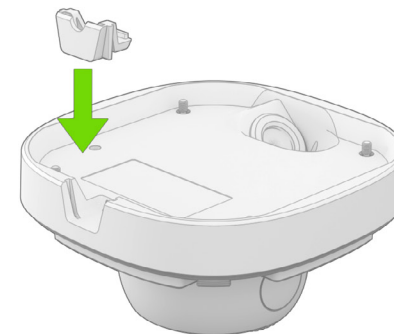
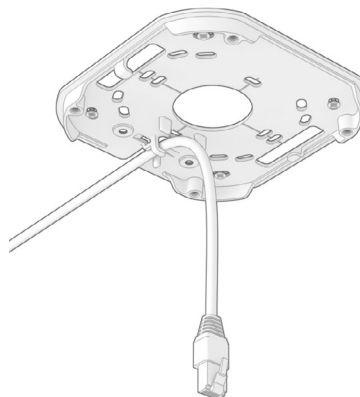
3



4A



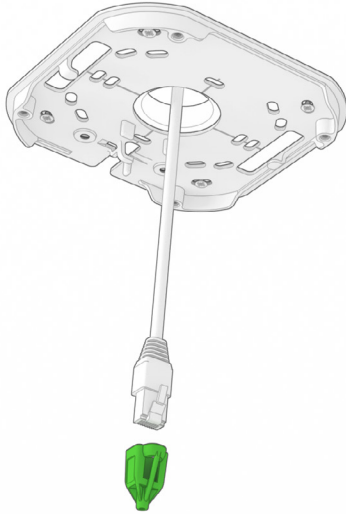
4B





The camera is powered over Ethernet.
/ La cámara funciona a través de cable Ethernet.

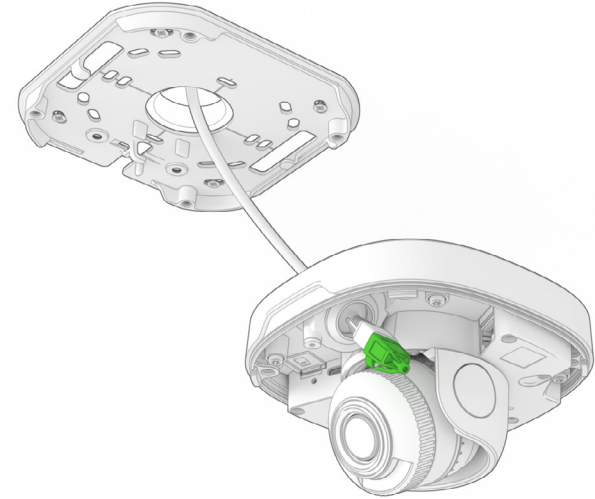
5



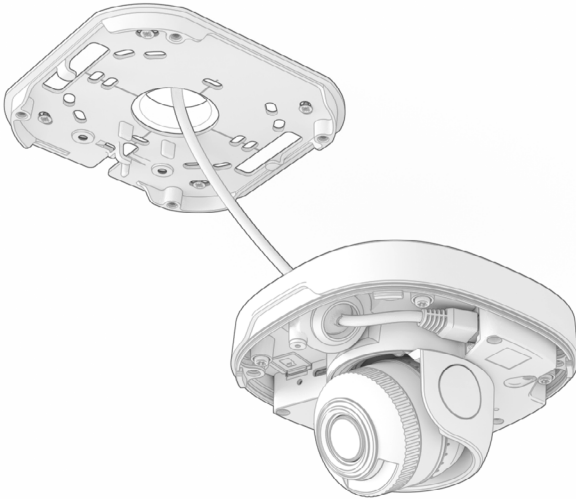
6



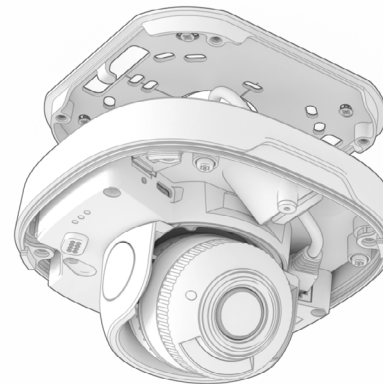
7



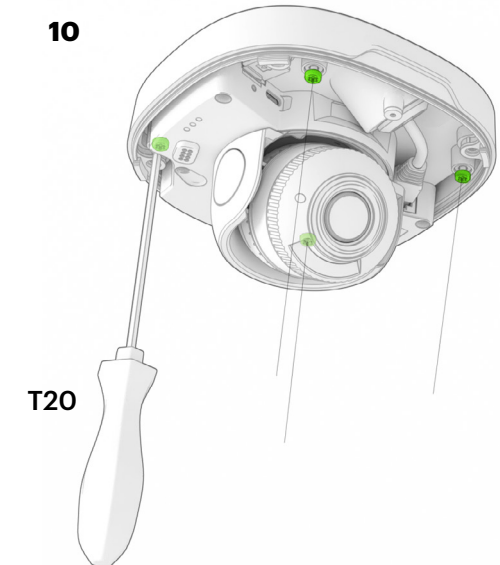
8



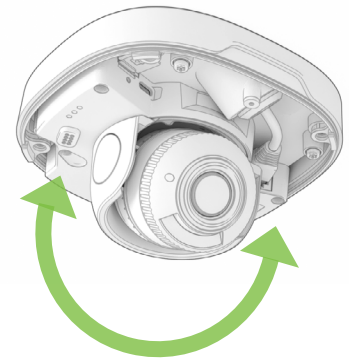
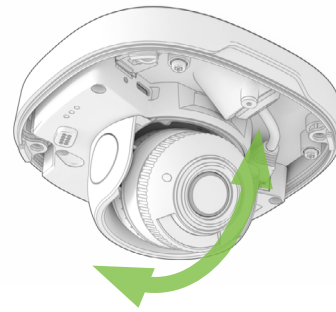
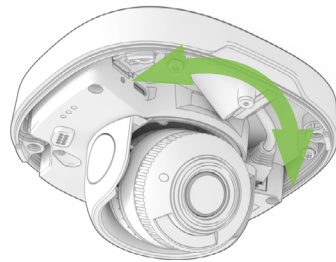
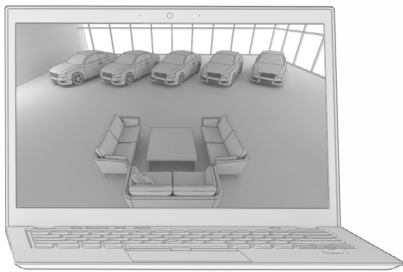
9



10



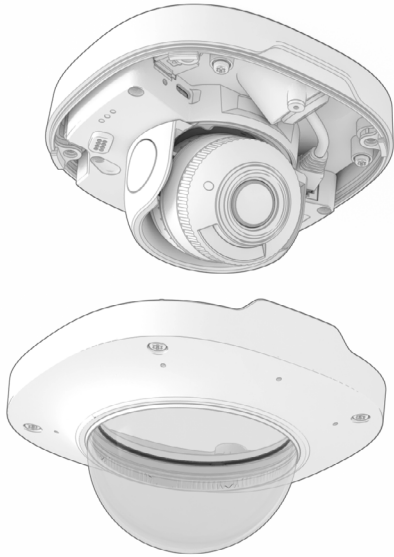
11





Make sure the light sensor is not covered by the casing.
 / Asegúrese de que el sensor de luz no está cubierto por la carcasa.

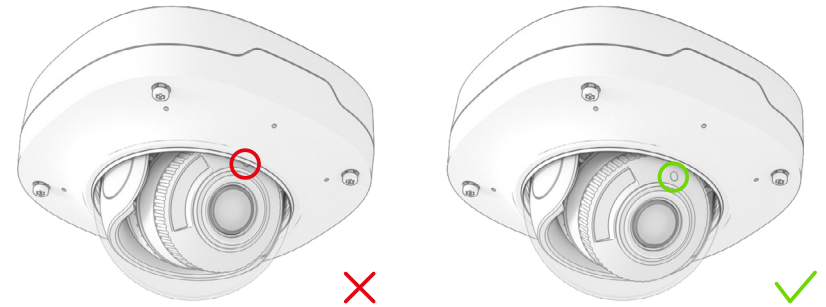
12



13



14



15



T20